



LD-01, LD-01 BP

Line sharing modem



- Multidrop applications
- By-pass function (LD-01BP)
- Galvanic isolation
- Transient suppression
- Code independent/transparent
- Ensures communication over long distances and in environments with high levels of interference
- AC-/DC-supply
- Reliable performance and function

For Westermo W1 interface transmission characteristics see page 138

Field of application

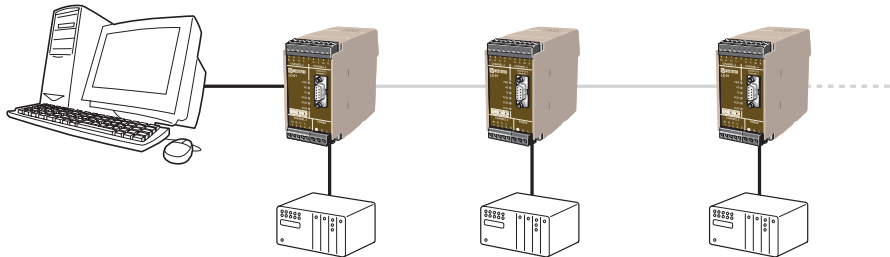
The line sharer is used in multidrop applications where several devices need to communicate with a main computer/master. This can be, for example, to control or collect data from a number of substations. The Westermo transmission technology (W1) makes it possible to communicate with up to 18 km (11.81 mi) between modems. Equipment with an RS-232 interface can be connected and data rates up to 38.4 kbit/s are possible depending on the transmission range. The line sharer is fully transparent, which means connected devices must recognise their own address.

It is possible to equip the line sharer with a by-pass board, which means that a line sharer that loses its power, for one reason or another, will be bypassed. This ensures communication for subsequent devices in a multidrop application.

LD-01, LD-01 BP are intended for mounting on a 35 mm DIN-rail, where the modem is attached and locked in a single action.

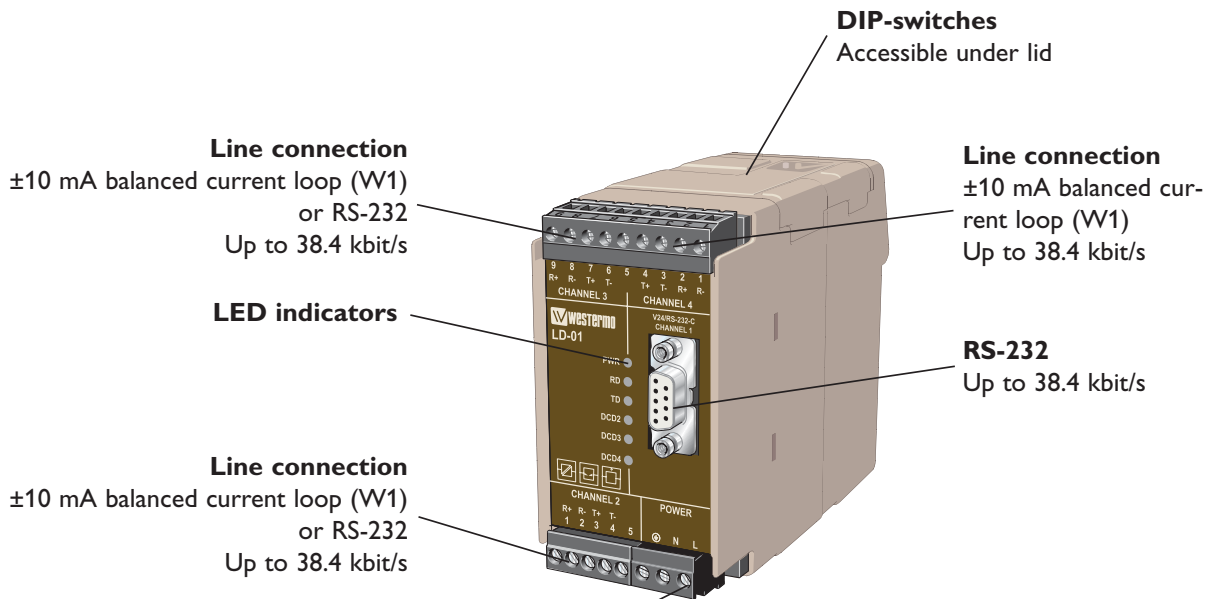


Application



Also see applications on pages 48 and 50

Interface



Power

	LD-01/BP AC	LD-01/BP 115 AC	LD-01/BP DC	LD-01/BP 36 – 55 DC
Operating voltage	207-264 VAC	103-132 VAC	12-36 VDC	36 – 55 VDC
Rated current	20 mA @ 230 VAC	40 mA @ 115 VAC	80 mA @ 24 VDC	55 mA @ 36 VDC
Rated frequency	48 – 62 Hz	48 – 62 Hz	DC	48 – 62 Hz
Connection	Detachable 3-pos. screw terminal	Detachable 3-pos. screw terminal	Detachable 2-pos. screw terminal	Detachable 2-pos. screw terminal